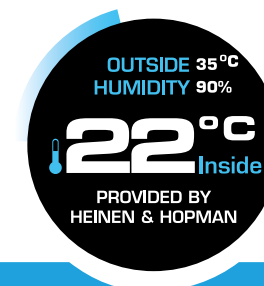
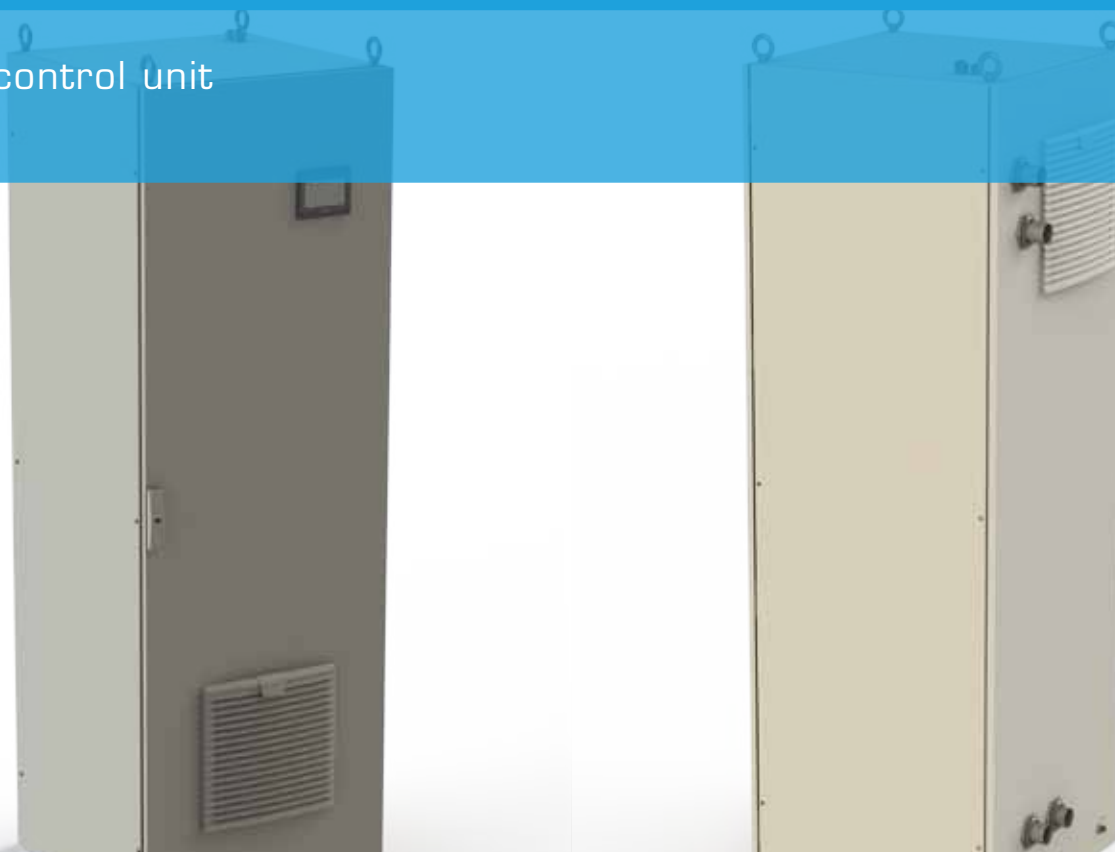




HEINEN & HOPMAN

PRODUCTS

> Liquid temperature control unit



Heating



Ventilation



Air Conditioning



Refrigeration

LIQUID TEMPERATURE CONTROL UNIT

General information

The liquid temperature control unit (LTCU) provides a cooling liquid flow which is used to remove the heat produced by equipment and sensors and streamed in from the ambient. A typical principle diagram is shown in figure below. The heat is removed to the ships chilled water by the LTCU (right side in the figure). This is referred to as the primary circuit. The liquid flow to the systems is referred to as the secondary circuit (left side in the figure). When the sensor systems are off, and there is no dissipation, the LTCU's are used to keep the sensor systems on their operational temperature. The LTCU has a heater for the heating of the secondary cooling liquid. Additional functions of the LTCU are the overpressure protection of the liquid circuit by means of expansion compensation devices and safety overpressure relief valves. For reasons of redundancy and flexibility multiple LTCU's can be considered.

The LTCU is specifically suitable for military vessels due to:

- the compact design
- electronic magnetic control (EMC)
- shock qualification MIL-S-901

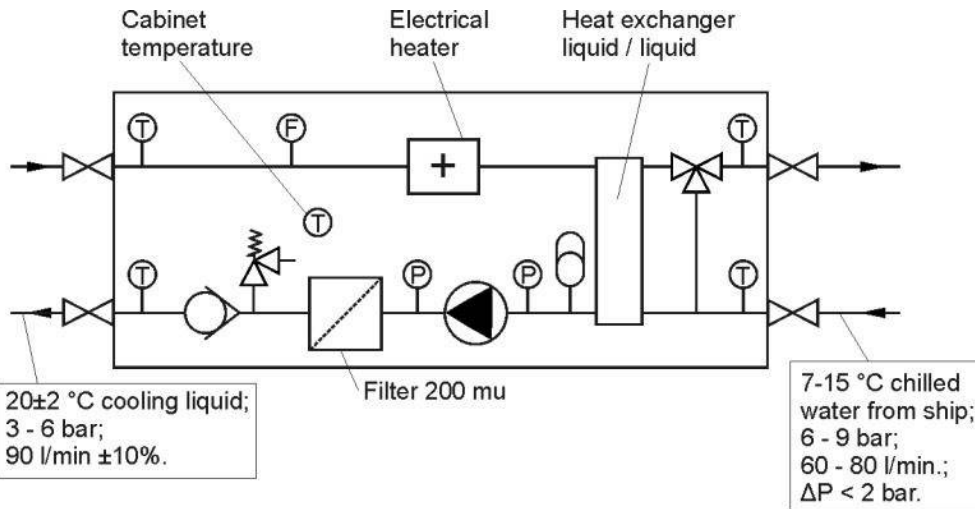
Casing

The casing of the LTCU is built out of a carbonsteel, dipcoat-primed power coated frame and panels out of double sheet aluminium with in between a layer Rock-wool 223. The front side of the casing is fitted with a door, which gives access for maintenance. The coating is available in all RAL colors.

Technical specifications

Primary circuit (chilled water)		
Temperature °C	In: +7°C	Out: +13°C
Flow	60 – 80 l/min	
Primary circuit (chilled water)		
Temperature °C	In: +28°C	Out: +20°C
Flow	90 l/min (±10%)	
General specification		
Cooling capacity	45 kW	
Heating capacity	10kW	
Dimensions L x W x H	603 x 603 x 1800 mm	
Operating weight	± 325 kg	
Power supply	3ph / 440V / 60Hz	

Other cooling, heating capacity and power supply available on request.



Source: 3MS 1414-01-00 Rev2, Nevesb4



Alternatives available on request.

Due to continued product development, Heinen & Hopman reserves the right to introduce alternations without prior notice.



Brazil

T: +55 21 3587 4241/4244
E: info@br.heinenhopman.com

France

T: +33 (0)6 3090 7786
E: info@heinenhopmanfrance.com

Germany

T: +49 40 73 1680
E: info@drewsmarine.com

India

T: +91 33 6499 1293
E: info@heinenhopmanindia.com

Italy

T: +39 0187 457970
E: info@it.heinenhopman.com

The Netherlands (HQ)

T: +31 (0)33 299 2500
E: info@heinenhopman.com

The Netherlands (Rotterdam)

T: +31 (0)78 890 8050
E: binnenvaart@heinenhopman.nl

Norway

T: +47 6919 0900
E: admin@teknotherm.no

Peoples Republic of China

T: +86 21 32 53 28 96
E: info@cn.heinenhopman.com

Peoples Republic of China

T: +86 510 8528 1763
E: ivo.klaric@teknotherm.no

Poland

T: +48 91433 1800
E: tmh@teknotherm.no

Romania

T: +40 236 448 222
E: office@ro.heinenhopman.com

Russia

T: +7 (4012) 308 801
E: info@heinenhopman.ru

Singapore

T: +65 6897 7879
E: info@sg.heinenhopman.com

South Korea

T: +82 (0)70 4901 0000
E: info@kr.heinenhopman.com

Spain

T: +34 93 225 96 68
E: info@es.heinenhopman.com

Sweden

T: +46 3121 7500
E: mats.uden@teknotherm.no

Turkey

T: +90 216 493 8118
E: info@tr.heinenhopman.com

USA (Fort Lauderdale, Florida)

T: +1 954 463 0110
E: info@arwmaritime.com

USA (Houma, Louisiana)

T: +1 800 294 2653
E: info@leblanchvac.com

UAE (Abu Dhabi)

T: +971 (0)2 550 4147
E: info@caspuae.com

UAE (Dubai)

T: +971 (0)50 624 2961
E: info@caspuae.com

www.heinenhopman.com

Heinen & Hopman encourages a more sustainable world. By providing eco-friendly solutions and services we offer our clients the option of reducing energy consumption and thus CO2 emissions. Visit greenmanifest.info for more information.



HEINEN & HOPMAN