



HEINEN & HOPMAN

PRODUCTS

> Dampers - SF



Heating



Ventilation



Air Conditioning



Refrigeration

DAMPERS

Fire and smoke dampers

Fire and smoke dampers prevent the spread of fire and smoke between fire zones, where people must have the maximum amount of time to react to possible fire. The dampers are type-approved according to A-O (A-60).



SFDR AO (A60) fire dampers

Frame: Steel.

Thickness: 4 mm (2x2 mm with fiber silicate).

Blades: Stainless steel.

Sizes: 100x100 ~ 500x500 mm.

Circular connection pieces: 100 ~ 500 mm



SFDC AO (A60) fire dampers

Frame: Steel.

Thickness: 4 mm (2x2 mm with fiber silicate).

Blades: Stainless steel.

Sizes: Ø100 ~ Ø500.

Circular connection pieces: 100 ~ 500 mm.

(P)ROKL smoke dampers

Frame: Galvanized steel.

Thickness: 3 mm.

Blades: Galvanized steel.

Sizes: Ø100 ~ Ø250.

Circular connection pieces: 100 ~ 250 mm.



Control

The dampers can be controlled electrically, pneumatically or manually. In case of fire, the fire dampers will close automatically.

The electrically and pneumatically controlled dampers are driven by an actuator.

Belimo actuator: standard actuator

Schischek actuator: actuator used in explosion-proof areas or if the actuator must open/close within 3 sec./90°.

Certified quality

In addition to ISO 9001, ISO 14001, quality and environmental management certificates, marine fire dampers conform to leading classification societies worldwide. Several dampers are ATEX-certified and shock-tested products for naval applications, ships and submarines.



ExMax..
zone 1, 2, 21, 22



RedMax..
zone 2, 22

SFDR fire dampers

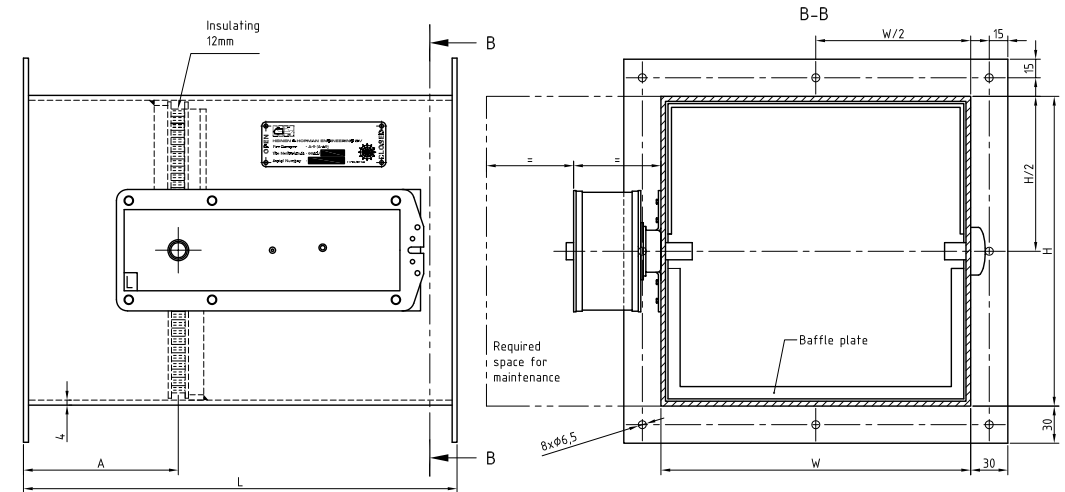
SFDR fire dampers are used in offshore, marine and navy ventilation systems. The dampers are type-approved according to A-0 (A-60). The dampers can be installed in rectangular ducts. The dampers have a fusible link and prevent the spread of fire and smoke within the ventilation ductwork. The dampers can be welded directly on the bulkhead (as penetration) or installed in the ducting system with the optional flange. The dampers with non-standard dimensions are available on request. The dampers begin to close when the air pressure is below 1.5 bar and closes below 0.5 bar.

- Type-approved by most recognized classification societies: class A0 and A60 (A60 insulation in all cases).
- The damper has an indicator which shows whether the damper is open or closed.
- Nominal fuse release temperature: 72 °C.
- For MED certificate, use a damper of 900 mm, including coaming and A60 insulation.
- Automatic electrical, pneumatic or spring operation system available.

Part	Material	Finishing
Frame	Steel S235JR	Shop Primer FS RAL 7012
Blades	Stainless steel AISI 1.4301	-
Bearings	Brass	-
Shafts	Stainless steel AISI 1.4404	-

Dimensions and material thickness

The dampers meet international standards for rectangular (width W 100-500 mm and height H 100-500 mm, 1 mm division). Non-standard dimensions and flange drilling are available on request.



Classification for SFDR and SFDC

• BV

• RMRS

• RRR



Alternatives available on request.

Due to continuous product development, Heinen & Hopman reserves the right to introduce alterations without prior notice.

SFDC fire dampers

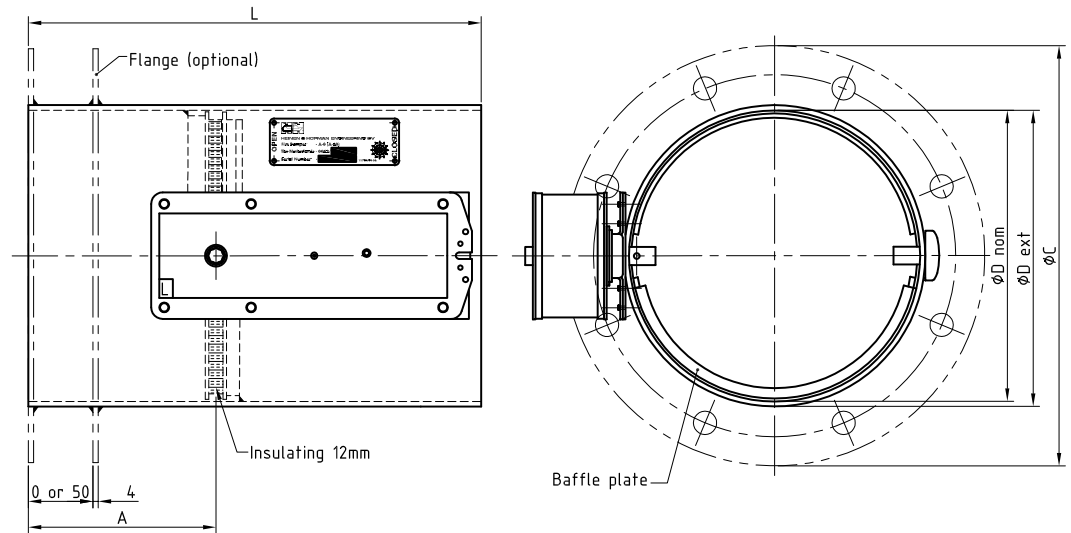
SFDC fire dampers are used in offshore, marine and navy ventilation systems. The dampers are type-approved according to A-0 (A-60). The dampers can be installed in circular ducts. The dampers have a fusible link and prevent the spread of fire and smoke within the ventilation ductwork. The dampers can be welded directly on the bulkhead (as penetration) or installed in the ducting system with the optional flange. Non-standard dimensions are available on request. The dampers begin to close when the air pressure is below 1.5 bar and closes below 0.5 bar.

- Type-approved by most recognized classification societies: class A0 and A60 (A60 insulation in all cases).
- The damper has an indicator which shows whether the damper is open or closed.
- Nominal fuse release temperature: 72 °C.
- For MED certificate, use a damper of 900 mm, including coaming and A60 insulation
- Automatic electrical, pneumatic or spring operation system available.

Part	Material	Finishing
Frame	Steel S235JR	Shop Primer FS RAL 7012
Blades	Stainless steel AISI 1.4301	-
Bearings	Brass	-
Shafts	Stainless steel AISI 1.4404	-

Dimensions and material thickness

The dampers meet international standards for circular duct (Ø100- Ø500 mm, 1 mm division). Non-standard dimensions and flange drilling are available on request.



ØD non.	ØD ext.	ØC	L	A
100	108	210	350	145
125	133	240	350	145
160	168	265	350	145
200	208	320	350	145
225	233	320	350	145
250	258	375	350	145
300	308	440	500	250
355	363	490	500	250
400	408	540	500	250
500	508	645	500	250

Dimensions are mentioned in mm

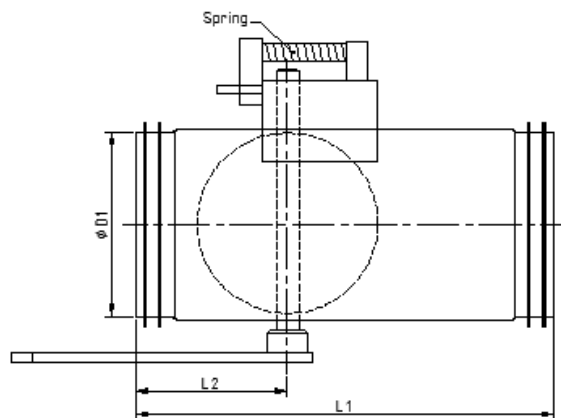
ROKL & PROKL smoke dampers

(P)ROKL smoke dampers are used in offshore, marine and navy ventilation systems. The dampers can be installed in circular ducts. The dampers prevent the spread of smoke within the ventilation ductwork. The dampers can be installed directly in insulated ducting systems. The dampers are used for non-insulated ducting systems. Non-standard dimensions are available on request.

- Smoke damper for air intake and exhaust air with spring system.
- Damper blades have thermal insulation.

Part	Material	Note
Casing	Galvanized steel	Sendzimir process
Blades (sandwich design)	Galvanized steel	Sendzimir process
Blade insulation	Polyurethane	-
Blade gaskets	Silicon	Heat-proof model
Duct gasket	Rubber compound	Circular connections
Bearings	Brass	-
Shafts	Stainless steel	-

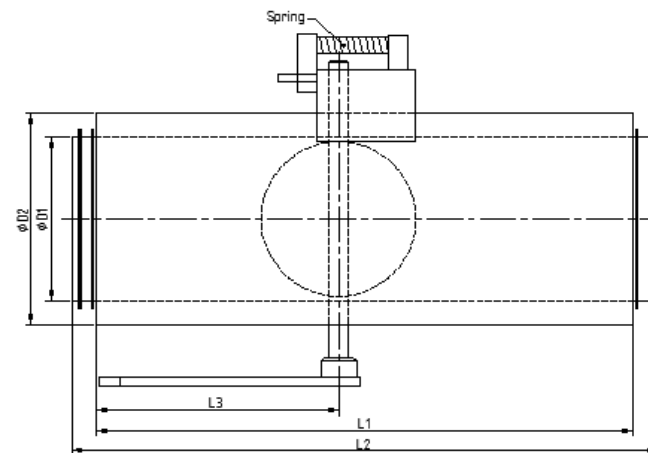
ROKL (non-insulated smoke damper)



Type	D1	L1	L2
ROKL 100	97	200	80
ROKL 125	122	200	80
ROKL 160	157	200	80
ROKL 200	197	200	80
ROKL 250	247	355	172

Dimensions are mentioned in mm

PROKL (insulated smoke damper)



Type	D1/D2	L1	L2	L3
PROKL 100	100/130	330	360	149
PROKL 125	122/155	330	360	149
PROKL 160	157/190	330	360	149
PROKL 200	197/230	330	360	149
PROKL 225	225/255	340	370	185
PROKL 250	250/280	340	370	185

Dimensions are mentioned in mm

Alternatives available on request.

Due to continuous product development, Heinen & Hopman reserves the right to introduce alterations without prior notice.

Brazil

T: +55 213 587 4241/4244
E: info@br.heinenhopman.com

France - La Ciotat

T: +33 4 4204 8685
E: info@heinenhopmanfrance.com

France - Antibes

T: +33 6 3090 7786
E: info@heinenhopmanfrance.com

Germany

T: +49 4073 1680
E: info@drewsmarine.com

Germany

T: +49 471 9869 300
E: info@moehringms.com

India

T: +91 336 499 1293
E: info@heinenhopmanindia.com

Italy

T: +39 018 745 7970
E: info@it.heinenhopman.com

The Netherlands (HQ)

T: +31 33 299 2500
E: info@heinenhopman.com

The Netherlands (Rotterdam)

T: +31 78 890 8050
E: binnenvaart@heinenhopman.nl

Norway

T: +47 6919 0900
E: admin@teknotherm.no

Peoples Republic of China

T: +86 213 253 2896
E: info@cn.heinenhopman.com

Peoples Republic of China

T: +86 510 8528 1763
E: xue.han@teknotherm.no

Poland

T: +48 914 331 800
E: tmh@teknotherm.no

Romania

T: +40 236 448 222
E: office@ro.heinenhopman.com

Russia

T: +7 (4012) 308 801
E: info@heinenhopman.ru

Singapore

T: +65 6897 7879
E: info@sg.heinenhopman.com

South Korea

T: +82 704 901 0000
E: info@kr.heinenhopman.com

Spain

T: +34 932 259 668
E: info@es.heinenhopman.com

Sweden

T: +46 3121 7500
E: mats.uden@teknotherm.no

Turkey

T: +90 216 493 8118
E: info@tr.heinenhopman.com

UAE (Abu Dhabi)

T: +971 2550 4147
E: info@caspuae.com

UAE (Dubai)

T: +971 4263 5453
E: info@caspuae.com

USA - Fort Lauderdale, Florida

T: +1 954 463 0110
E: info@arwmaritime.com

USA - Houma, Louisiana

T: +1 985 876 7982
E: leblanc@leblancandassociates.com

www.heinenhopman.com

Heinen & Hopman encourages a more sustainable world. By providing eco-friendly solutions and services we offer our clients the option of reducing energy consumption and thus CO2 emissions. Visit greenmanifest.info for more information.



HEINEN & HOPMAN